

Indoor/Outdoor Pendant NPT Mount



ACCESSORIES



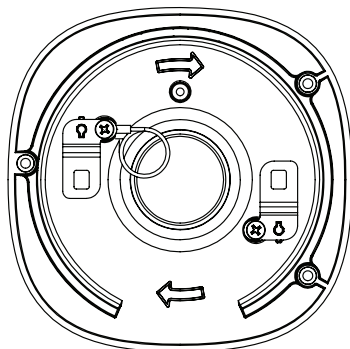
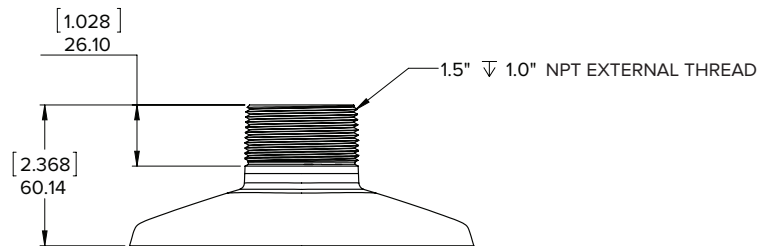
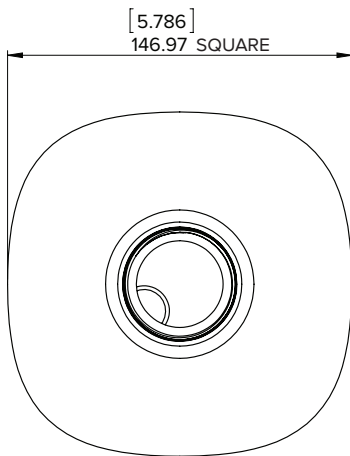
H4A-MT-NPTA1

NPT mount for H4 HD Pendant Dome Cameras (H4A-DP and H4A-DP-IR)

Weight: 0.25 kg (0.56 lbs)

Finish: RAL 9003

- Mounts to a male 1-1/2" NPT threaded pipe
- Creates outdoor seal with pendant dome cameras that meets IP66 standards



[X.X]	INCHES
X	MM

SUPPORT 1.888.281.5182 | sales@avigilon.com | avigilon.com